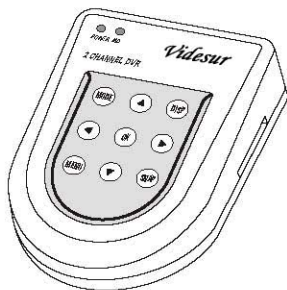




2-CHANNEL MINI REAL TIME DVR



[Model No.: VSD2CH-RTSD]

OPERATION MANUAL

CONTENTS

CHAPTER 1: INTRODUCTION	2
1. COMMON FEATURES	2
2. SYSTEM SPECIFICATIONS	2
CHAPTER 2: PHYSICAL UNIT	3
1. DVR FRONT PANEL	3
2. DVR REAR PANEL	4
CHAPTER 3: GETTING STARTED	5
CHAPTER 4: OPERATION MANUAL	6
1. REAL-TIME VIEWING MODE	7
2. PLAYBACK MODE	9
3. PHOTO/AVI	10

CHAPTER 1: INTRODUCTION

1. Common Features

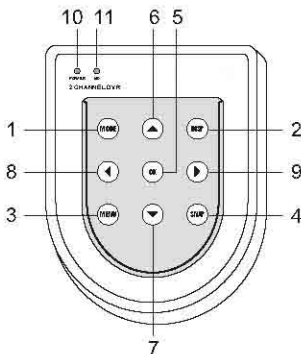
- DIY installation and operation.
- Real time display and playback.
- Built-in SD card slot, support up to 2GB memory capacity.
- Automatic Photo/AVI video recording when motion detected.
- Settings remain unchanged in case of power loss.

2. System Specifications

Model	VSD2CH-RTSD	
Video Input Format	NTSC / PAL	
Video Input (CCIR656)	2 channels	
Video Output (CCIR656)	1 channel	
Display Frame Rate	PAL: 25 FPS; NTSC: 30 FPS	
Recording Frame Rate	PAL: 25 FPS; NTSC: 30 FPS	
Recording Resolution	Photo: 640 x 480; AVI: 320 X 240	
OSD	English	
Back-up (Archive Device)	SD card (up to 2GB)	
Search Function	Mode	Time & Date
	F / Screen	Yes
Power Supply	DC 12V	
Net Weight	108g	
Dimension	115mm x 80mm x 31mm	

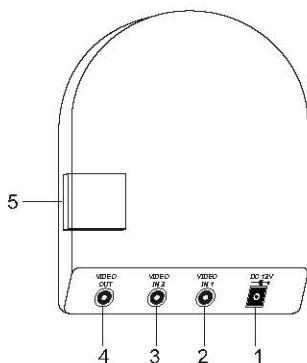
CHAPTER 2: PHYSICAL UNIT

1. DVR Front Panel




Item	Label	Function
1		Preview/Playback.
2		Channel shift; folder selection.
3		System setup.
4		Snapshot or AVI video.
5		Confirm; image shift in playback mode; and single full screen display.
6		Move upward; preview: start/close Motion Detect; playback: display or cancel OSD.
7		Move downward; preview: shift Photo/AVI video; playback: AVI video playback.
8		Move leftward.
9		Move rightward.
10	POWER	Power LED.
11	MD	Motion detection LED.

2. DVR Rear Panel



Item	Label	Function
1	DC 12V - - +	Power supply.
2	VIDEO IN 1	The RCA for video in for camera1.
3	VIDEO IN 2	The RCA for video in for camera2.
4	VIDEO OUT	The RCA for video out.
5	SD Card	SD socket.

CHAPTER 3: GETTING STARTED

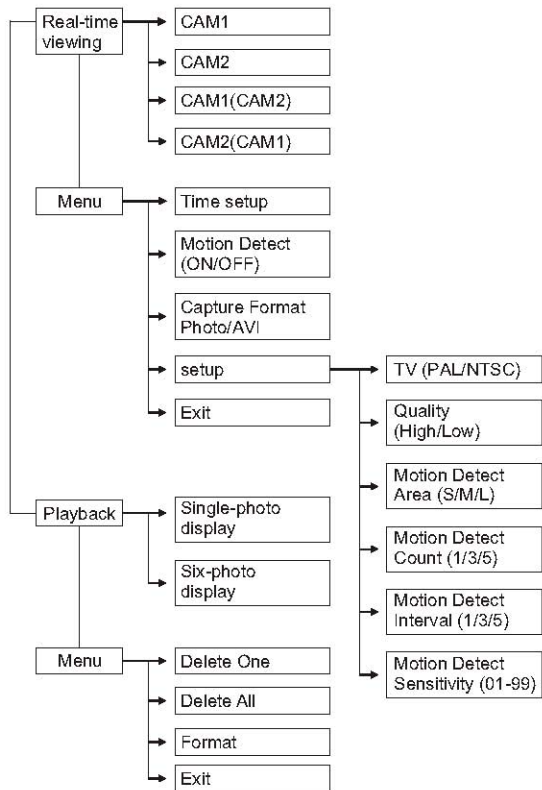
- Install a SD card into your DVR. (The sign “” for the SD card will be shown at the left top after the power is on; or otherwise)
- Connect the DVR to a monitor.
- Connect camera(s) to the DVR.
- Plug the power cord into the power jack on the wall.
- Start the real-time viewing or snapshot/AVI.



- 1. Make sure that a SD card, the DVR, the camera(s), and the monitor are properly installed.**
- 2. Without the SD card inserted, the Snapshot or AVI video will be stored in the limited flash memory, when the DVR works.**

CHAPTER 4: OPERATION MANUAL

Flowchart:

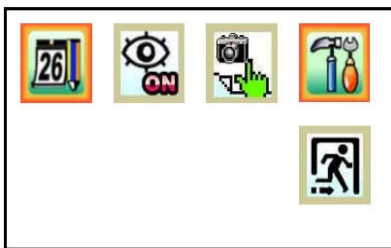


1. Real-time Viewing Mode

The DVR enters the Real-time viewing mode and display CAM1 when the power is on.

1.1 Press "DISP" to shift in 4 options: CAM1, CAM2, CAM1 (CAM2), CAM2 (CAM1). (Only CAM1 and CAM2 options are available in Capture Format AVI)

1.2 Press "MENU" to choose with "◀" / "▶" buttons.



Menu

- 1). Press "OK" to set time with "▲" / "▼" / "◀" / "▶" buttons, and press "OK" to confirm and save.
- 2). Press "OK" to start/close Motion Detect.
- 3). Press "OK" to Photo or AVI.
- 4). Press "OK" for Setup:



Setup

- ①. TV: Press "OK" to set PAL/NTSC.
- ②. Quality: Press "OK" to set High/Low.
- ③. Motion Detect Area: Press "OK" to choose or move the area (S/ML).
- ④. Motion Detect Count: Press "OK" to set the photo(s) (1, 3 and 5). (The 3 or 5 photos will be shot every second)
- ⑤. Motion Detect Interval: Press "OK" to set the interval in seconds (1, 3 and 5).
- ⑥. Motion Detect Sensitivity: Press "OK" to set the sensitivity from 01 to 99 (high to low).
- ⑦. Exit: Press "OK" to exit.



In case of power loss without the SD card removed, the settings already set will remain unchanged, but when the power loses, and the SD card is removed, the settings "Motion Detect Count (1/3/5)" and "Motion Detect Interval (1/3/5)" will be reset, and the "Motion Detect Sensitivity (01-99)" will also be reset.

2. Playback Mode

The photos in JPEG and files in AVI will be stored in different folders in the FLASH memory or SD card. The folders are named with different dates. If there is no file to store, "NO FILE" will be shown in Playback mode, which will then return to the Real-time viewing mode.

2.1 Press "MODE" to shift from the Real-time viewing mode to the Playback mode.

2.2 Press "OK" to enter the six-photo/AVI mode, select the photo/AVI with "◀" / "▶" buttons, (if chosen, the sign "📷" or "📹" will be accordingly shown on the bottom), and press "OK" to display the selected photo in full screen (or press "OK" and "▼" to replay the AVI video clip).

2.3 Press "▲" to cancel OSD display, and press "▲" again to display OSD.

2.4 Press "DISP" to choose the folder, and press "▲" / "▼" to choose the folder with the date you need, finally press "OK" to confirm.

2.5 Press "MENU" to choose "Delete One", "Delete All", "Format" and "Exit" with "◀" / "▶" buttons, and then press "OK" to confirm.



Delete

3. Photo/AVI

In the Real-time viewing mode:

- 3.1 Press the “▼” button to the set Photo/AVI (the sign “📷/📹” will be accordingly shown at the left top).
- 3.2 Press the “▲” button to set Motion Detect ON/OFF for automatic snapshot or AVI video recording. Once motion is detected, the snapshot or AVI video recording will start (the sign “👁” and “REC” will be accordingly shown at the left top).
- 3.3 Press the “SNAP” button to manually make the snapshot or AVI video recording.



1. Under the two PIP display modes, with the capture format modes (both the photo and AVI), the snapshot and AVI video recording will only apply to the main camera.
2. The length of time for each AVI video clip is currently defaulted as 10 seconds.

THANK YOU FOR CHOOSING OUR PRODUCTS.